

HELI



HELI



12-18t

G series Lithium Battery Counterbalance Forklift Truck

G SERIES 12-18T

Performance specifications						
Model		CPD120-GA7ZLI-09	CPD135-GA7ZLI-06	CPD150-GA7ZLI-06	CPD160-GA7ZLI-06	CPD180-GA7ZLI-06
Rated capacity	t	12	13.5	15	16	18
Load center	mm	900	600			
Max.Lifting speed (unloaded/loaded)	mm/s	320/340				
Max.Travelling speed(loaded/unloaded)	km/h	17/19				
Max. Gradeability(loaded/unloaded)	%	25				20
Size parameters						
Overall length	L1	mm	6705			
Overall width	B	mm	2560			
Overall height	H	mm	3365			
Wheelbase	L5	mm	3250			
Minimum underground clearance	H2	mm	260			
Seat height	H6	mm	1970			
Turning radius(outside)	R2	mm	4500			
Front track	W1	mm	1888			
Rear track	W2	mm	2120			
Mast height (retracted/extended)	H1/H5	mm	3365/4865			
Mast lifting height	H3	mm	3000			
Masttiltingangle (forward/backward)	α/β	deg	6/12			
Fork dimension (length*width*thickness)	mm	1820×200×85				1370×200×85
Fork adjusting range	mm	500-2370				

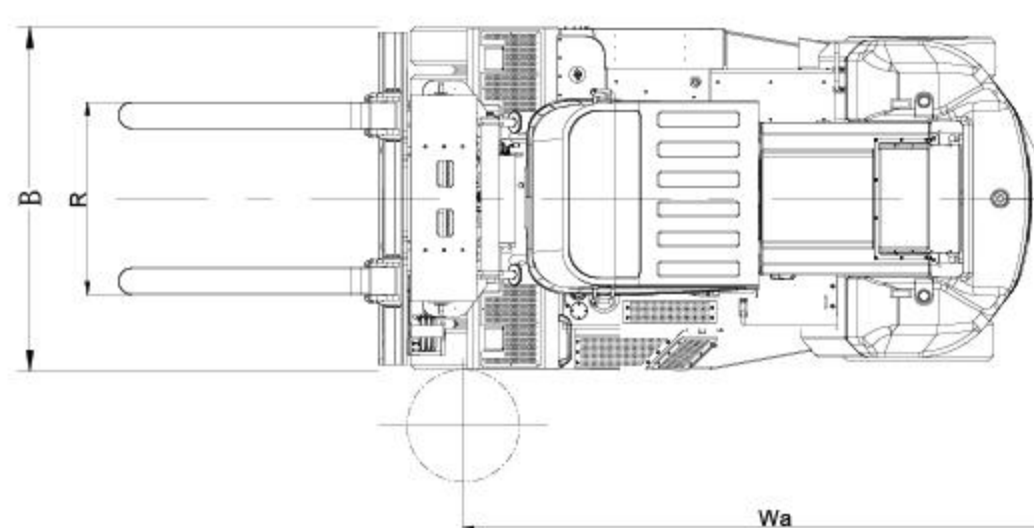
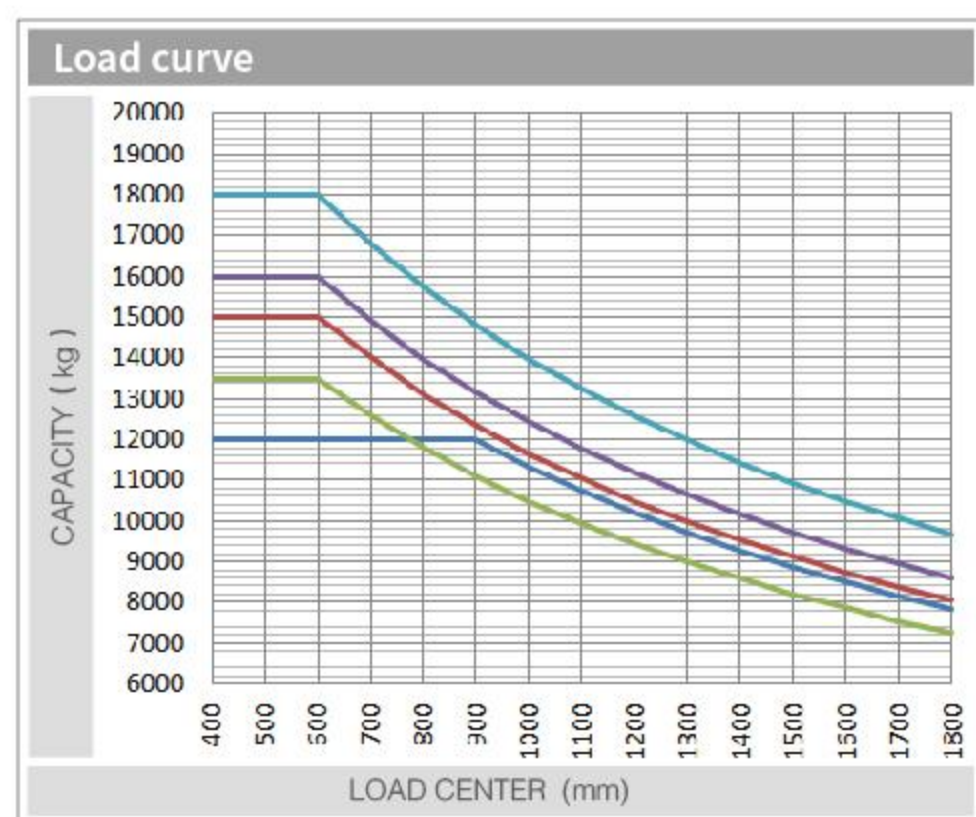
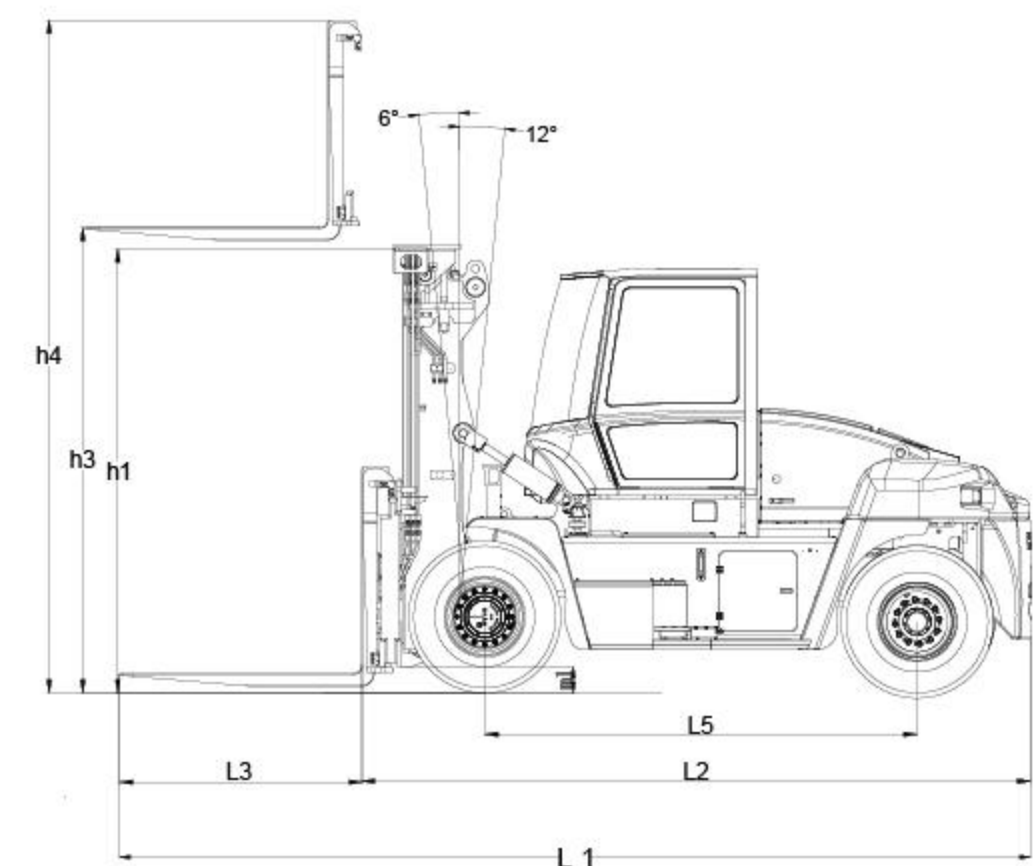
Lithium battery	
Lithium battery brand	ENEROC
Voltage/Capacity	531.3V/302Ah
CPD120	●
CPD135	●
CPD150	●
CPD160	●
CPD180	●
Charger	HUAWEI120KW750V <input type="radio"/> HUAWEI60KW750V <input type="radio"/>

Note: ●Standard ○Optional

CPD120-180 Basic type mast									
Mast type	Max.lift height (mm)	Load capacity(kg)						Overall height (mm)	Tilt angle (F/B)
M300	3000	12000	13500	15000	16000	18000	3365	6°/12°	
M350	3500	12000	13500	15000	16000	18000	3450	6°/12°	
M400	4000	12000	13500	15000	16000	18000	3700	6°/12°	
M450	4500	12000	13500	15000	16000	18000	3950	6°/12°	
M500	5000	12000	13500	15000	16000	18000	4200	6°/6°	
M550	5500	11000	12500	14000	15000	17000	4450	3°/6°	
M600	6000	10000	11500	13000	14000	16000	4700	3°/6°	
M650	6500	9000	10500	12000	13000	15000	4950	3°/6°	

Standard Configuration			
Wide view mast	Truck mode setting (high efficient, economical)	FICS information and locking function	Intelligent fire fighting system
Standard fork	Hydraulic fork positioner	Hydraulic oil level gauge	Aviation operating handle
Steering indicator	Electric horn	Four-piece control valve	Tilt and adjustable steering column
Back-up mirror	Air conditioning	Tilt self-lock valve	Traction pin
Front combination lamp	Tilting cab	Fully-hydraulic powered steering	Driver's stool
Rear combination lamp	Visual reversing radar	Oil filter of hydraulic oil loop	
Rotary warning lamp	Motor speed torque control	Full suspension seat	
Reversing buzzer	Lowering buffer function with load	FICS information and locking function	
Back-up lamp	Automatic stop when standby	Reserved for motor start Control	
LCD	Speed limit function	Thermal management control	

Optional Devices and Accessories			
Common solid tyre	String rod	Fork extension	Slings
User designated color	Weighing system	Reversing horn speaker	Tyre clip
Maintenance reminder	Traceless tyre	Rotator	
Bale clamp	Tire pressure monitoring	Crane jib	



The maintenance of spot check is convenient and efficient

- Rotary integrated cooling system**
Through the self reset spring lock, the integrated radiator can be quickly opened to maximize the maintenance space of the cooling system and improve the convenience.
- Cab electric tipping system**
The cab electric tipping hydraulic system enables the cab to turn 60° to the right to offer large maintenance space.
- Large angle hood**
The lithium battery hood can be quickly and safely lift through self-locking gas spring.

- Our products are constantly updated and improved. Parameters and design are subject to change without prior notice.
- The configuration and color of the products in figures may be different from the actual delivered model. Please in kind prevails.



ANHUI HELI CO., LTD.
Add / No.668, FangXing Road,Hefei,China
Fax / +86-551-63639966

Tel / +86-551-63639068(America); 63639258(Europe);
63639358(Asia); 63662105(Africa & Middle East);
63639530(Key Accounts division); 63662105(Wheel loader)

www.heliforklift.net

esign&Print&Forklift&Printing_20211221

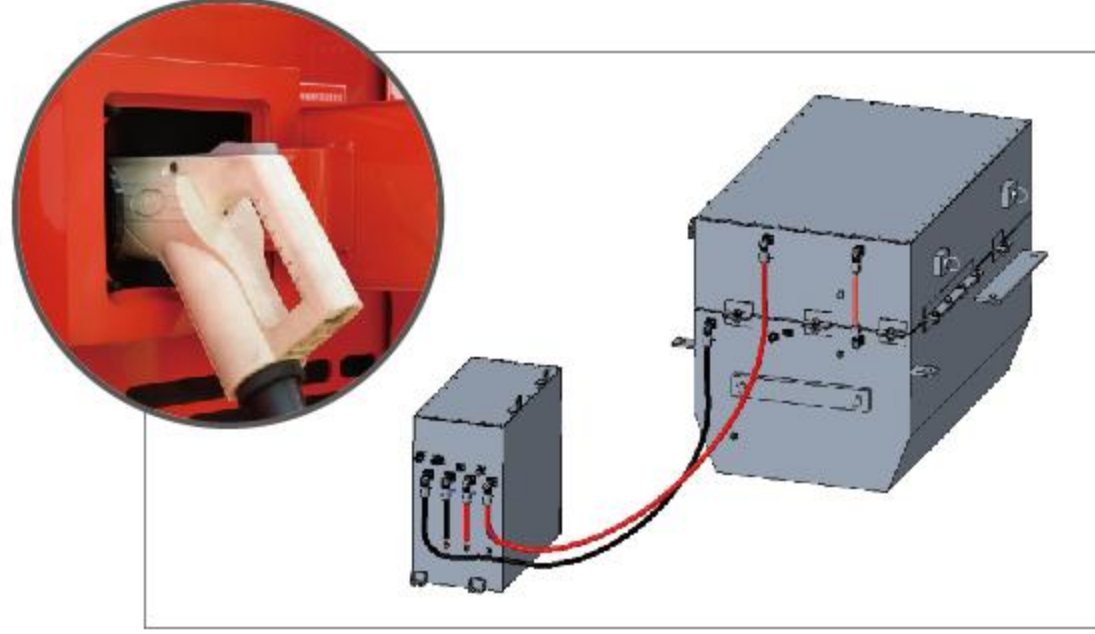
Wide view and High Strength Lifting System

- Excellent front view which is benefit for the work safety improvement and working efficiency is provide with wide view mast which has proprietary intellectual property and fork positioner.



High voltage lithium battery system

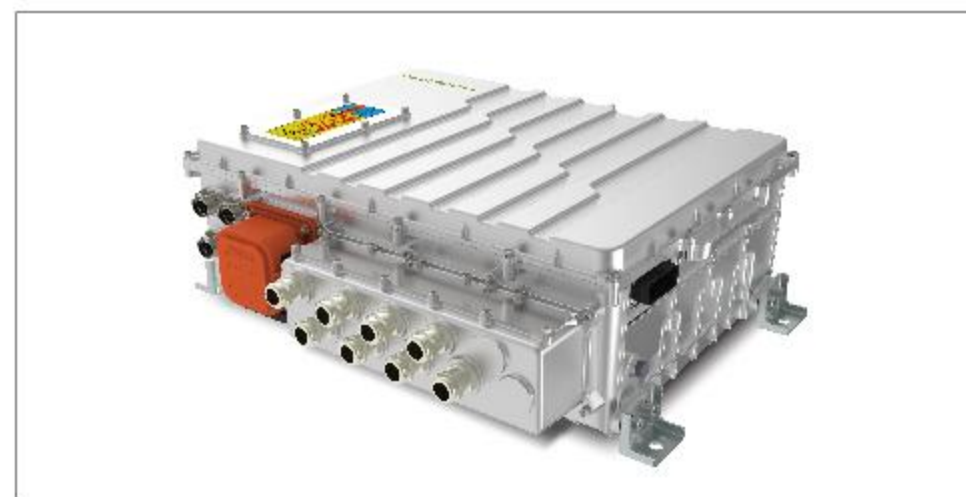
- The truck is equipped with independent high-power fast charging interface;
- The high voltage lithium battery is arranged up and down, which is convenient for assembly and replacement;
- Lithium battery has high discharge rate, high cell energy density, longer battery life and stronger power;
- The distribution box wiring cable port area and the rotary radiator share a detection space, which is more convenient for maintenance and repair;
- Lithium battery intelligent fire protection system is equipped as standard to improve the safety of use;
- It only takes 1-2 hours to charge the battery fully.



Powered transmission system

Modular design (five in one) traction integrated controller New generation hair-pin driver motor (90kw / 180kW)

- The stator adopts hair-pin technology, which is compact and efficient and has low cost and high output power torque;
- Permanent magnet reluctance design has the advantages of permanent magnet motor, while reducing the back EMF to ensure safety;
- Water cooling way improves the overall performance of the motor;
- The protection level reaches IP67, which can meet the requirements of all-weather work.



Gearbox & Torque Converter

Imported ZF 3WG131 transmission box

- Tiptronic intelligent gear shifting technology
- Smooth gear shifting without shock
- Easy gear shifting
- High efficient power matching
- Safe and reliable; low noise
- With fault diagnosis function



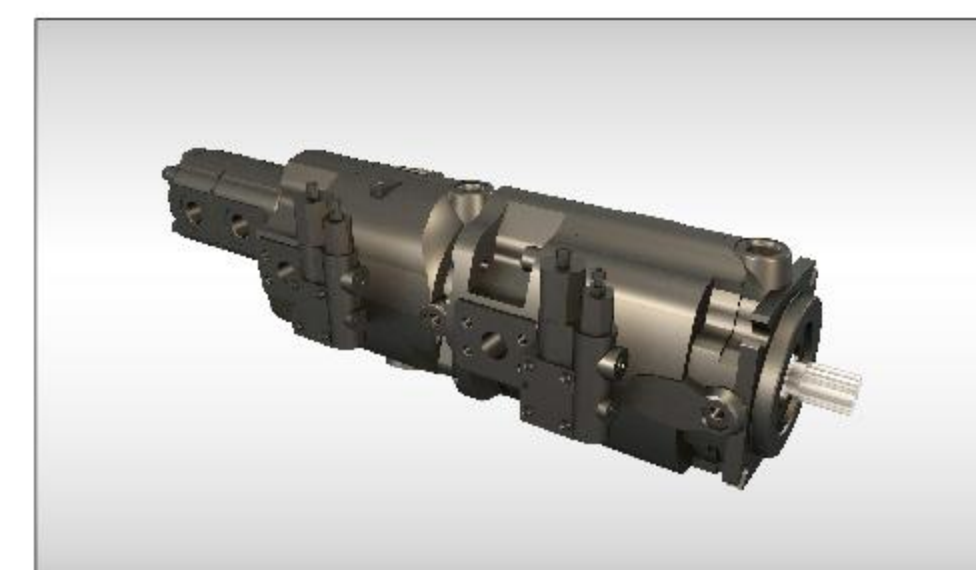
HELI smart fleet management system (optional)

- Vehicle positioning
- Remote diagnosis
- Remote monitoring
- Maintenance reminder
- Statistical form
- Vehicle management
- Identification recognition (optional)
- Weight management (optional)



Proportional variable hydraulic braking system of quadruple pump

- The compound variable hydraulic system has higher integration, more energy saving and faster system response;
- Proportion control on the hydraulic main action of the whole truck has a wider range of performance parameters, which is suitable for different operation application;
- Motor speed adaptive system has more flexible steering and higher efficiency;
- The intelligent pump motor integrates multi-channel heat dissipation system to ensure the reliable and lasting work of the whole hydraulic, transmission and power system.



Wet drive axle

Wet braking system is adopted, which has stable working performance and is free from the influence of external moderation and dust, maintenance free, and greatly reduces the maintenance cost. The friction plate is immersed in oil for cooling, which can significantly reduce the working temperature, significantly improve the braking performance and service life of the braking system, and can meet the requirements of frequent braking occasions with long time, high strength and short distance such as in cabin, smelting plant.



Wet type drive axle

Intelligent safety

- Intelligent digital display instrument monitors the overall status of the whole truck and ensures the safety of the truck operation;
- Intelligent temperature management system realize real-time thermal management in different zone and ensures the proper working temperature of the truck;
- Intelligent fire protection system offers high safety protection;
- Intelligent mast height angle detection safety control system improves driving safety;
- Intelligent visual reverse radar monitoring system provides all-round safety protection.



Comfortable operation

- The human-machine interface of the whole truck is reasonably arranged, and the human-machine comfort is greatly improved;
- High voltage electric air conditioner has high energy utilization and more comfortable driving environment;
- The truck features double side anti-skid safe passage for getting on and off, fan-shaped maintenance platform for cab and large space for activities.

